



VITA CONCORD VERTICAL

Vita Series

50 Δt

(75/65/20°C)

SINGLE

Height mm	Length mm	Elements	Stelrad UIN	Watts	Heat output Btu/hr
1800	444	6	448340	852	2907
	592	8	448341	1136	3876
	740	10	448342	1420	4845
2000	444	6	448343	942	3214
	592	8	448344	1256	4286
	740	10	448345	1570	5357

DOUBLE

Height mm	Length mm	Elements	Stelrad UIN	Watts	Heat output Btu/hr
1800	444	6	448640	1254	4279
	592	8	448641	1672	5705
	740	10	448642	2090	7131
2000	444	6	448643	1386	4729
	592	8	448644	1848	6306
	740	10	448645	2310	7882

$\Delta t50$ is the UK's industry standard for heating outputs, which has an operating temperature of 75/65/20°C. If you have a low temperature heat source you may wish to consider $\Delta t40$ or $\Delta t30$ output (see your installer or system designer or download from www.stelrad.com).

For EN442 data, technical and installation information please visit our website: www.stelrad.com and search product downloads.

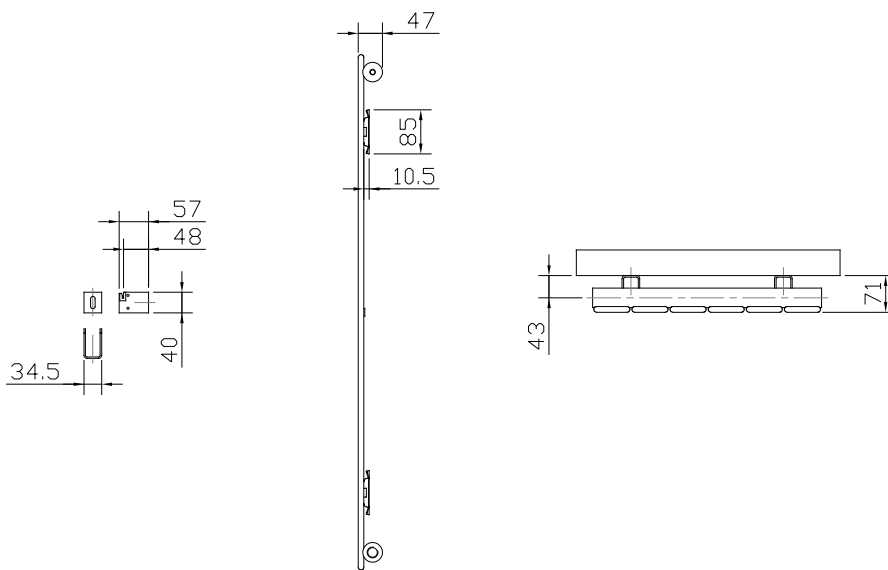
VITA CONCORD VERTICAL

Vita Series

WALL MOUNTING INFORMATION

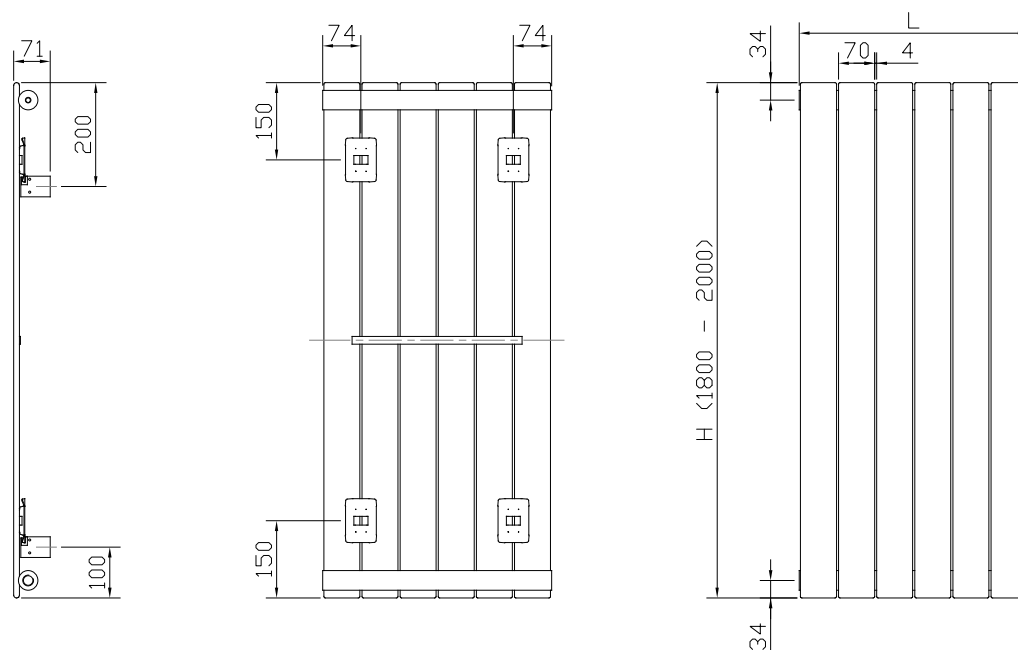
All dimensions in mm.

Type	From back of radiator to wall		From wall to centre of connections		From front of radiator to wall	
	mm	inches	mm	inches	mm	inches
Vertical	24	0.98	43	1.69	71	2.80



FIXING POSITIONS

All dimensions in mm. Inches in brackets.



CONNECTIONS

Each radiator comes with 1/2" inlet connections as standard.

VITA CONCORD VERTICAL

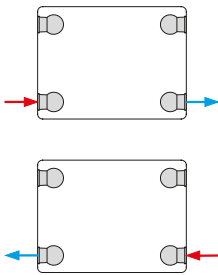
Vita Series

EN 442 CERTIFICATION DATA - CETIAT TESTED IN ACCORDANCE WITH BS EN 442

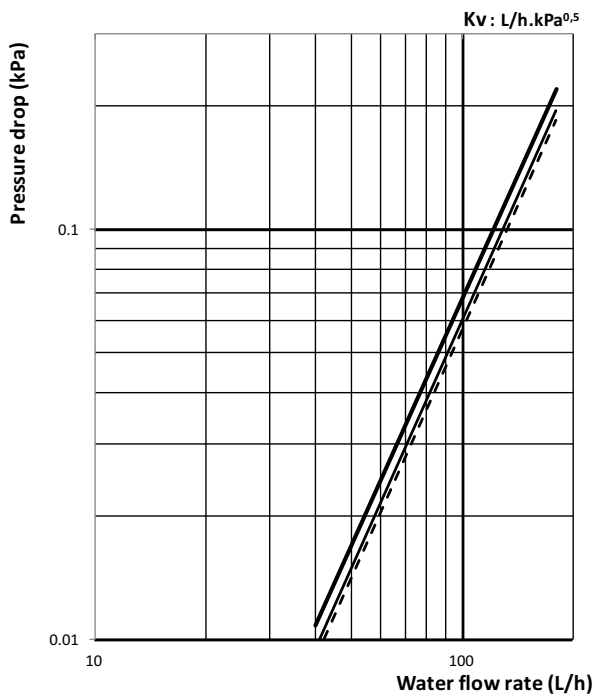
Type	Vertical	
	1800	2000
Height	1800	2000
W/m at 75/65/20	1846	2041
n-coefficients	1.31	1.31
Heated surface area (m ² /m)	4.01	4.42
Weight (kg/m)	44.2	49.4
Water contents (l/m)	14.3	16.9
Wall to tap centre (mm)	43	43

STEEL THICKNESS 1.25mm

PIPING INSTRUCTIONS



PRESSURE DROPS



- Vertical 1800/2000 10 elts - Kv=383
- Vertical 1800/2000 8 elts - Kv=408
- - Vertical 1800/2000 - 6 elts - Kv=419