



# VITA COLUMN HORIZONTAL

Vita Series

**50  $\Delta t$**

(75/65/20°C)

**2 COLUMN**

Height mm	Length mm	Stelrad UIN	Watts	Heat output Btu/h
<b>500</b>	628	463012	499	1703
	858	463013	691	2358
	1042	463014	845	2884
	1272	463015	1037	3539
<b>600</b>	628	463028	589	2010
	858	463029	815	2782
	1042	463030	997	3403
	1272	463031	1223	4174

**3 COLUMN**

**4 COLUMN**

Height mm	Length mm	Stelrad UIN	Heat output		Length mm	Stelrad UIN	Heat output	
			Watts	Btu/hr			Watts	Btu/hr
<b>300</b>	444	463000	288	983	444	463007	377	1287
	628	463001	416	1420	628	463008	545	1860
	858	463002	576	1966	858	463009	754	2573
	1042	463003	704	2403	1042	463010	922	3147
	1272	463004	864	2949	1272	463011	1131	3860
	1456	463005	992	3386	-	-	-	-
	1870	463006	1280	4369	-	-	-	-
<b>500</b>	444	463016	464	1584	444	463023	608	2075
	628	463017	671	2290	628	463024	879	3000
	858	463018	929	3171	858	463025	1217	4154
	1042	463019	1135	3874	1042	463026	1487	5075
	1272	463020	1393	4754	1272	463027	1825	6229
	1456	463021	1600	5461	-	-	-	-
	1870	463022	2064	7044	-	-	-	-
<b>600</b>	444	463032	548	1870	444	463039	718	2451
	628	463033	792	2703	628	463040	1037	3539
	858	463034	1096	3741	858	463041	1436	4901
	1042	463035	1340	4573	1042	463042	1756	5993
	1272	463036	1644	5611	1272	463043	2155	7355
	1456	463037	1888	6444	-	-	-	-
	1870	463038	2436	8314	-	-	-	-
<b>750</b>	858	463044	1337	4563	444	463049	877	2993
	1042	463045	1635	5580	628	463050	1266	4321
	1272	463046	2006	6846	858	463051	1753	5983
	1456	463047	2303	7,860	1042	463052	2143	7314
	1870	463048	2972	10143	1272	463053	2630	8976

$\Delta t50$  is the UK's industry standard for heating outputs, which has an operating temperature of 75/65/20°C. If you have a low temperature heat source you may wish to consider  $\Delta t40$  or  $\Delta t30$  output (see your installer or system designer or download from [www.stelrad.com](http://www.stelrad.com)).

Due to production tolerances the length of the product and therefore the tap centres could contain a variation of +/- 1.5% of the overall stated length.

For EN442 data, technical and installation information please visit our website: [www.stelrad.com](http://www.stelrad.com) and search product downloads.

# VITA COLUMN HORIZONTAL

Vita Series

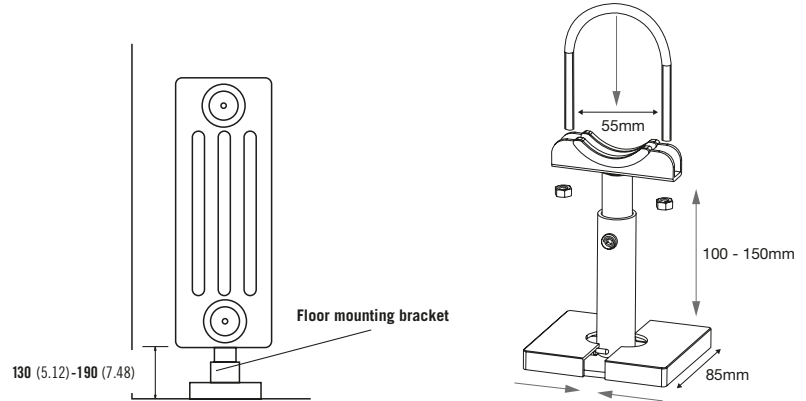
## VITA COLUMN HORIZONTAL FLOOR MOUNTING BRACKETS



UIN 148137 White  
(sold in pairs)

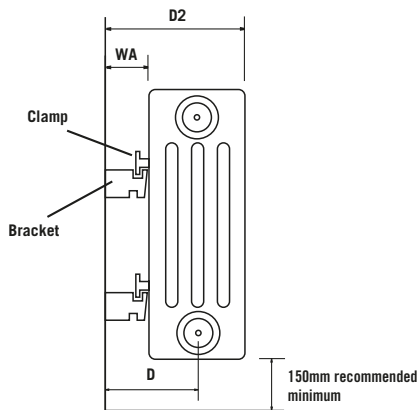
## OPTIONAL FLOOR MOUNTING BRACKETS

All dimensions in mm. Inches in brackets.



## BRACKET INSTALLATION

All dimensions in mm. Inches in brackets.



## MEASUREMENTS USING 10mm CVD BRACKETS SLOT

Add 5mm if using 15mm slot

	WA	D	D2
2 Col	23	54	85
3 Col	23	73	123
4 Col	23	91	159

## BRACKETS AND CLAMPS REQUIRED

	No of Sections
4	0 - 23
6	24 - 41

Number of columns	Wall to centre of connections		Wall to front face of radiator
	Using 10mm bracket slot	Using 15mm bracket slot	
2	54	59	85 or 90
3	73	78	123 or 128
4	91	96	159 or 164

All sizes (approximate) in mm

## CONNECTIONS

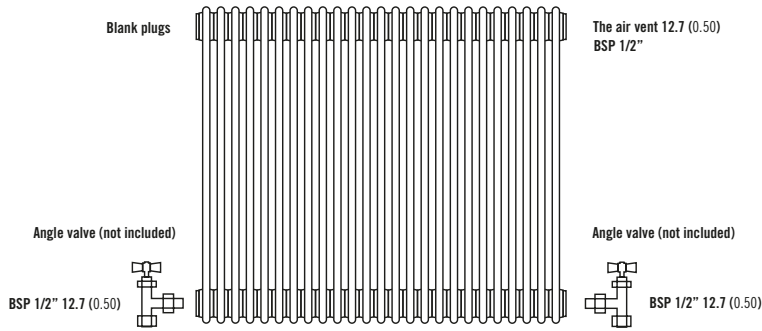
Each radiator comes with 1/2" inlet connections as standard.

# VITA COLUMN HORIZONTAL

Vita Series

## VALVE INSTALLATION

All dimensions in mm. Inches in brackets.

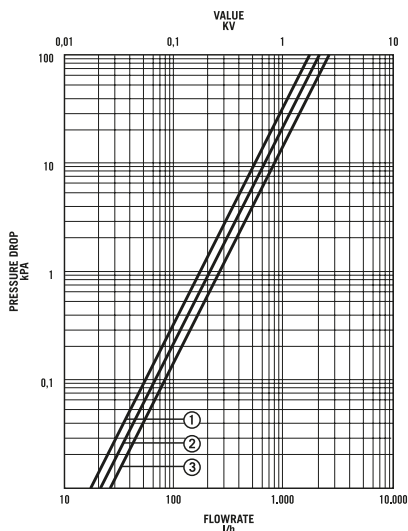


Note: Factory fitted bushes are welded in place and not removable.  
If installing TBOE (Top Bottom Opposite End) please note that the radiator MUST be inverted.

## EN 442 CERTIFICATION DATA - CETIAT TESTED IN ACCORDANCE WITH BS EN 442

Type	2 Columns		3 Columns			4 Columns
Height	500	600	300	500	600	600
W/m at 75/65/20	835	985	696	1122	1324	1734
n-coefficients	1.25	1.25	1.25	1.25	1.26	1.27
Heated surface area (m <sup>2</sup> /m)	1.52	1.96	1.52	2.39	3.04	4.13
Weight (kg/m)	17.39	21.74	15.22	26.09	30.43	43.48
Water contents (l/m)	10.87	13.04	13.04	17.39	19.57	26.09
Wall to tap centre (mm)	54 / 59	54 / 59	73 / 78	73 / 78	73 / 78	91 / 96

## PRESSURE DROPS



- ① 2 Column (P1), 11 (K1)
- ② 3 Column (P+), 22 (K2)
- ③ 4 Column (K3)