



# VITA COLUMN CONCEPT

Vita Series

## 50 $\Delta t$

(75/65/20°C)

### 3 COLUMN

Height mm	Length mm	Elements	Stelrad UIN	Watts	Heat output Btu/hr
600	628	13	463133	792	2703
	858	18	463134	1096	3741
	1042	22	463135	1340	4573
	1272	27	463136	1644	5611

### 4 COLUMN

Height mm	Length mm	Elements	Stelrad UIN	Watts	Heat output Btu/hr
600	628	13	463140	1037	3539
	858	18	463141	1436	4901
	1042	22	463142	1756	5993
	1272	27	463143	2155	7355

$\Delta t50$  is the UK's industry standard for heating outputs, which has an operating temperature of 75/65/20°C. If you have a low temperature heat source you may wish to consider  $\Delta t40$  or  $\Delta t30$  output (see your installer or system designer or download from [www.stelrad.com](http://www.stelrad.com)).

Due to production tolerances, the length of the product and therefore the tap centres could contain a variation of +/- 1.5% of the overall stated length.

For EN442 data, technical and installation information please visit our website: [www.stelrad.com](http://www.stelrad.com) and search product downloads.

**VITA COLUMN CONCEPT COMES IN RAL: A7016 ANTHRACITE GREY AND IS AVAILABLE FROM STOCK.**

### VITA COLUMN CONCEPT FLOOR MOUNTING BRACKET



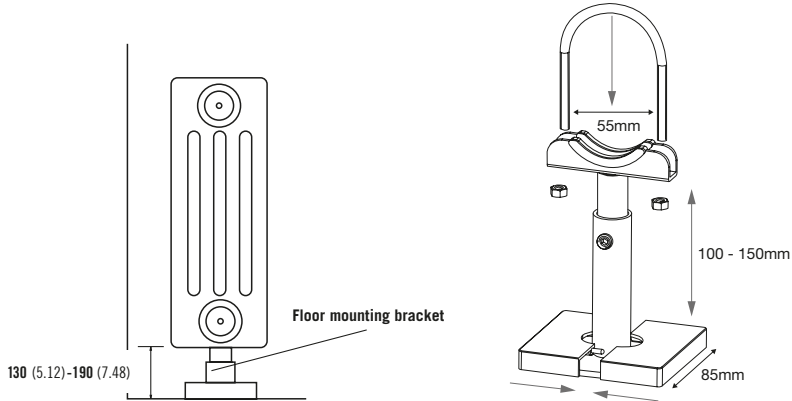
UIN 148138 Anthracite Grey  
(sold in pairs)

# VITA COLUMN CONCEPT

Vita Series

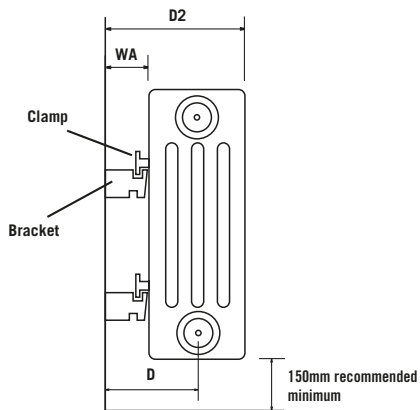
## OPTIONAL FLOOR MOUNTING BRACKETS

All dimensions in mm. Inches in brackets.



## BRACKET INSTALLATION

All dimensions in mm. Inches in brackets.



## MEASUREMENTS USING 10mm CVD BRACKETS SLOT

Add 5mm if using 15mm slot

	WA	D	D2
3 Col	23	73	123
4 Col	23	91	159

## BRACKETS AND CLAMPS REQUIRED

	No of Sections
4	0 - 23
6	24 - 41

Number of columns	Wall to centre of connections		Wall to front face of radiator
	Using 10mm bracket slot	Using 15mm bracket slot	
3	73	78	123 or 128
4	91	96	159 or 164

All sizes (approximate) in mm

## CONNECTIONS

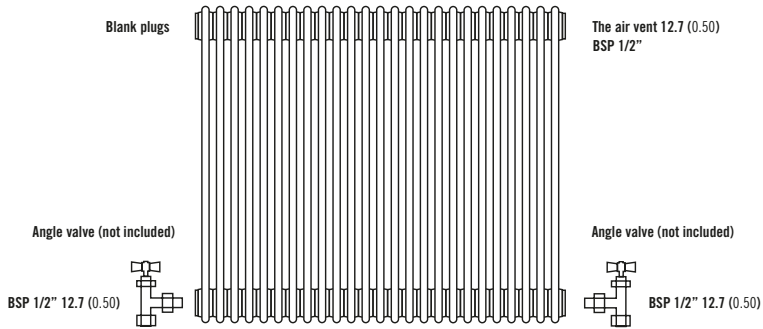
Each radiator comes with 1/2" inlet connections as standard.

# VITA COLUMN CONCEPT

Vita Series

## VALVE INSTALLATION

All dimensions in mm. Inches in brackets.



Note: Factory fitted bushes are welded in place and not removable.  
If installing TBOE (Top Bottom Opposite End) please note that the radiator MUST be inverted.

## EN 442 CERTIFICATION DATA - CETIAT TESTED IN ACCORDANCE WITH BS EN 442

Type	3 Columns	4 Columns
Height	600	600
W/m at 75/65/20	1324	1734
n-coefficients	1.26	1.27
Heated surface area (m <sup>2</sup> /m)	3.04	4.13
Weight (kg/m)	30.43	43.48
Water contents (l/m)	19.57	26.09
Wall to tap centre (mm)	73 / 78	91 / 96

Vita Column Concept comes in Anthracite Grey and is available from stock.

## PRESSURE DROPS

