

ELITE

The Stelrad Elite is the perfect solution when maximum heat output is needed from a steel panel radiator. The Elite range is readily available nationwide and offers versatility, quality and performance making it the UK's most popular radiator.

<i>RANGE</i>	183
<i>TYPES</i>	P1, K1, P+, K2
<i>HEIGHTS (MM)</i>	300 - 700
<i>LENGTHS (MM)</i>	400 - 3000
<i>OUTPUTS (WATTS)</i>	190 - 6033
<i>OUTPUTS (BTU/HR)</i>	648 - 20591
<i>WORKING PRESSURE</i>	10 bar







50 Δt

(75/65/20°C)



Height mm	Length mm	Sections	P1			K1			P+			K2		
			Stelrad UIN	Heat output Watts	Btu/hr	Stelrad UIN	Heat output Watts	Btu/hr	Stelrad UIN	Heat output Watts	Btu/hr	Stelrad UIN	Heat output Watts	Btu/hr
300	500	15	-	-	-	8430	259	884	8436	388	1324	8442	506	1727
	1000	30	-	-	-	8431	517	1765	8437	776	2648	8443	1012	3454
	1500	45	-	-	-	8432	776	2648	8438	1164	3973	8444	1518	5181
	2000	60	-	-	-	8433	1034	3529	8439	1552	5297	8445	2024	6908
	2500	75	-	-	-	8434	1293	4413	8440	1940	6621	8446	2530	8635
	3000	90	-	-	-	8435	1551	5294	-	-	-	8447	3036	10362
450	400	12	8448	190	648	8461	307	1048	8479	442	1509	8497	564	1925
	500	15	8449	238	812	8462	384	1311	8480	553	1887	8498	705	2406
	600	18	8450	286	976	8463	461	1573	8481	664	2266	8499	845	2884
	700	21	8451	333	1137	8464	538	1836	8482	774	2642	8500	986	3365
	800	24	8452	381	1300	8465	614	2096	8483	885	3021	8501	1127	3846
	900	27	8453	428	1461	8466	691	2358	8484	995	3396	8502	1268	4328
	1000	30	8454	476	1625	8467	768	2621	8485	1106	3775	8503	1409	4809
	1100	33	-	-	-	8468	845	2884	8486	1217	4154	8504	1550	5290
	1200	36	8456	571	1949	8469	922	3147	8487	1327	4529	8505	1691	5771
	1400	42	8457	666	2273	8470	1075	3669	8488	1548	5283	8506	1973	6734
	1600	48	8458	762	2601	8471	1229	4195	8489	1770	6041	8507	2254	7693
	1800	54	-	-	-	8472	1382	4717	8490	1991	6795	8508	2536	8655
	2000	60	-	-	-	8473	1536	5242	8491	2212	7550	8509	2818	9618
	2200	66	-	-	-	8474	1690	5768	-	-	-	8510	3100	10580
2400	72	-	-	-	8475	1843	6290	-	-	-	8511	3382	11543	
2600	78	-	-	-	8476	1997	6816	-	-	-	8512	3663	12502	
2800	84	-	-	-	8477	2150	7338	-	-	-	8513	3945	13464	
3000	90	-	-	-	8478	2304	7864	-	-	-	8514	4227	14427	
600	400	12	8515	244	833	8528	400	1365	8546	564	1925	8564	711	2427
	500	15	8516	305	1041	8529	500	1707	8547	705	2406	8565	889	3034
	600	18	8517	366	1249	8530	600	2048	8548	845	2884	8566	1067	3642
	700	21	8518	427	1457	8531	700	2389	8549	986	3365	8567	1245	4249
	800	24	8519	488	1666	8532	800	2730	8550	1127	3846	8568	1422	4853
	900	27	8520	549	1874	8533	900	3072	8551	1268	4328	8569	1600	5461
	1000	30	8521	610	2082	8534	1000	3413	8552	1409	4809	8570	1778	6068
	1100	33	-	-	-	8535	1100	3754	8553	1550	5290	8571	1956	6676
	1200	36	8523	732	2498	8536	1200	4096	8554	1691	5771	8572	2134	7283
	1400	42	8524	854	2915	8537	1400	4778	8555	1973	6734	8573	2489	8495
	1600	48	8525	976	3331	8538	1600	5461	8556	2254	7693	8574	2845	9710
	1800	54	-	-	-	8539	1800	6143	8557	2536	8655	8575	3200	10922
	2000	60	-	-	-	8540	2000	6826	8558	2818	9618	8576	3556	12137
	2200	66	-	-	-	8541	2200	7509	-	-	-	8577	3912	13352
2400	72	-	-	-	8542	2400	8191	-	-	-	8578	4267	14563	
2600	78	-	-	-	8543	2600	8874	-	-	-	8579	4623	15778	
2800	84	-	-	-	8544	2800	9556	-	-	-	8580	4978	16990	
3000	90	-	-	-	8545	3000	10239	-	-	-	8581	5334	18205	
700	400	12	-	-	-	8595	457	1560	8613	639	2181	8631	804	2744
	500	15	-	-	-	8596	571	1949	8614	799	2727	8632	1006	3433
	600	18	-	-	-	8597	685	2338	8615	958	3270	8633	1207	4119
	700	21	-	-	-	8598	799	2727	8616	1118	3816	8634	1408	4806
	800	24	-	-	-	8599	914	3119	8617	1278	4362	8635	1609	5492
	900	27	-	-	-	8600	1028	3509	8618	1437	4904	8636	1810	6178
	1000	30	-	-	-	8601	1142	3898	8619	1597	5451	8637	2011	6864
	1100	33	-	-	-	8602	1256	4287	8620	1757	5997	8638	2212	7550
	1200	36	-	-	-	8603	1370	4676	8621	1916	6539	8639	2413	8236
	1400	42	-	-	-	8604	1599	5457	8622	2236	7631	8640	2815	9608
	1600	48	-	-	-	8605	1827	6236	8623	2555	8720	8641	3218	10983
	1800	54	-	-	-	8606	2056	7017	8624	2875	9812	8642	3620	12355
	2000	60	-	-	-	8607	2284	7795	-	-	-	8643	4022	13727
	2200	66	-	-	-	8608	2512	8573	-	-	-	8644	4424	15099
2400	72	-	-	-	8609	2741	9355	-	-	-	8645	4826	16471	
2600	78	-	-	-	8610	2969	10133	-	-	-	8646	5229	17847	
2800	84	-	-	-	8611	3198	10915	-	-	-	8647	5631	19219	
3000	90	-	-	-	8612	3426	11693	-	-	-	8648	6033	20591	

Δt50 is the UK's industry standard for heating outputs, which has an operating temperature of 75/65/20°C. If you have a low temperature heat source you may wish to consider Δt40 or Δt30 output (see your installer or system designer or download from www.stelrad.com).

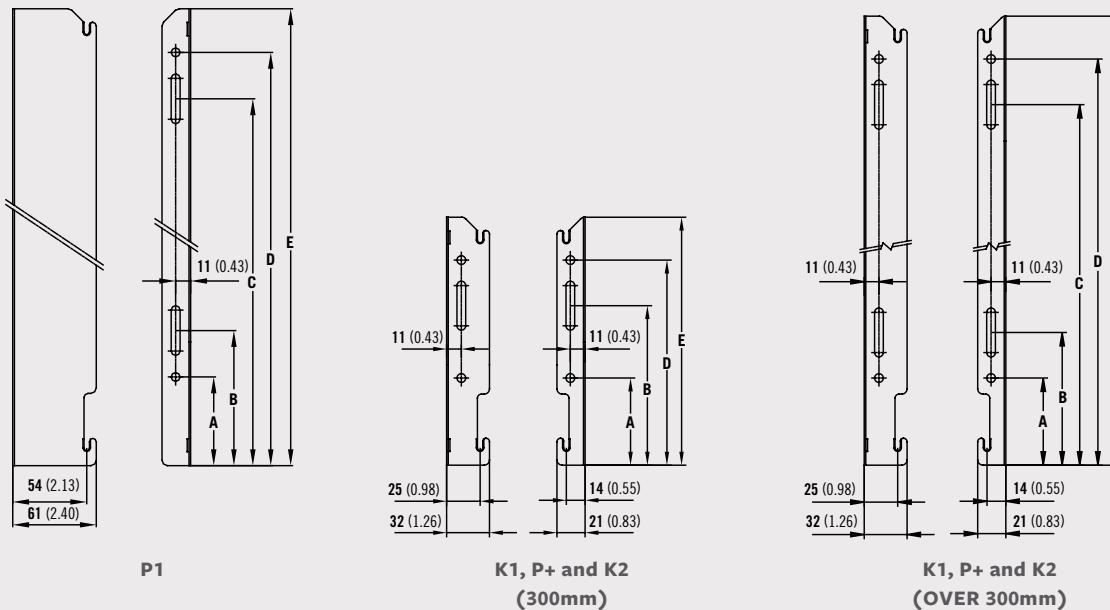


EN 442 CERTIFICATION DATA - CETIAT TESTED IN ACCORDANCE WITH BS EN 442

Type	P1		K1				P+				K2			
Height	450	600	300	450	600	700	300	450	600	700	300	450	600	700
W/m at 75/65/20	476	610	517	768	1000	1142	776	1106	1409	1597	1012	1409	1778	2011
n-coefficients	1.30	1.31	1.31	1.30	1.29	1.29	1.33	1.33	1.33	1.34	1.33	1.33	1.23	1.34
Heated surface area (m ² /m)	1.03	1.37	2.09	3.37	4.66	5.51	2.44	3.84	5.24	6.18	3.51	5.62	7.74	9.15
Weight (kg/m)	9.25	12.33	8.38	13.34	18.30	21.33	13.71	21.31	28.90	33.50	15.90	24.80	33.70	39.13
Water contents (l/m)	2.57	3.25	1.89	2.57	3.25	3.77	3.70	5.15	6.60	7.63	3.70	5.15	6.60	7.63
Wall to tap centre (mm)	46	46	51	51	51	51	62	62	62	62	73	73	73	73

MOUNTING BRACKETS

All dimensions in mm. Inches in brackets. Floor mounting brackets available..

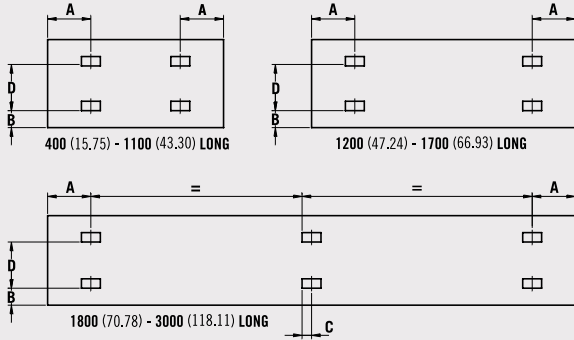


Dimensions	mm	inches	mm	inches	mm	inches	mm	inches
Height	300	11.81	450	17.72	600	23.62	700	27.56
A	65	2.56	65	2.56	65	2.56	65	2.56
B	119	4.69	99	3.90	99	3.90	99	3.90
C	-	-	269	10.59	419	16.50	519	20.43
D	153	6.02	303	11.93	453	17.83	553	21.77
E	185	7.28	335	13.19	485	19.09	585	23.03



K1, P+, K2 AND P1 LUG POSITIONS

All dimensions in mm. Inches in brackets.



P1, P+ & K2

Dimensions	mm	in
A	133	5.24
B	60	2.36

K1

Dimensions	mm	in
A 400mm	117	4.61
A 500 - 3000mm	150	5.91
B 400 - 3000mm	60	2.36
C 1800 - 3000mm	17	0.67

PANEL HEIGHT

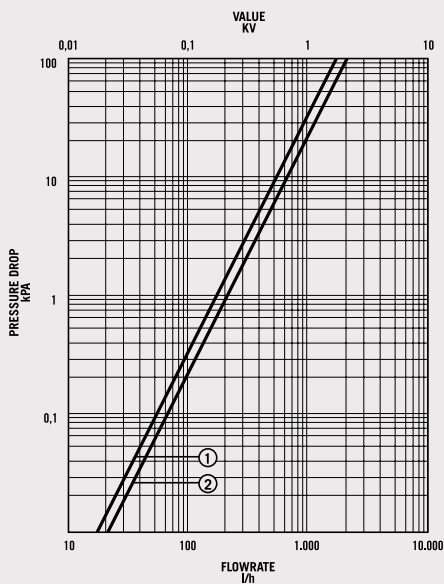
D

mm	in	mm	in
300	11.81	155	6.10
450	17.72	305	12.01
600	23.62	455	17.91
700	27.56	555	21.95

CONNECTIONS

Each radiator comes with 1/2" inlet connections as standard.

PRESSURE DROPS

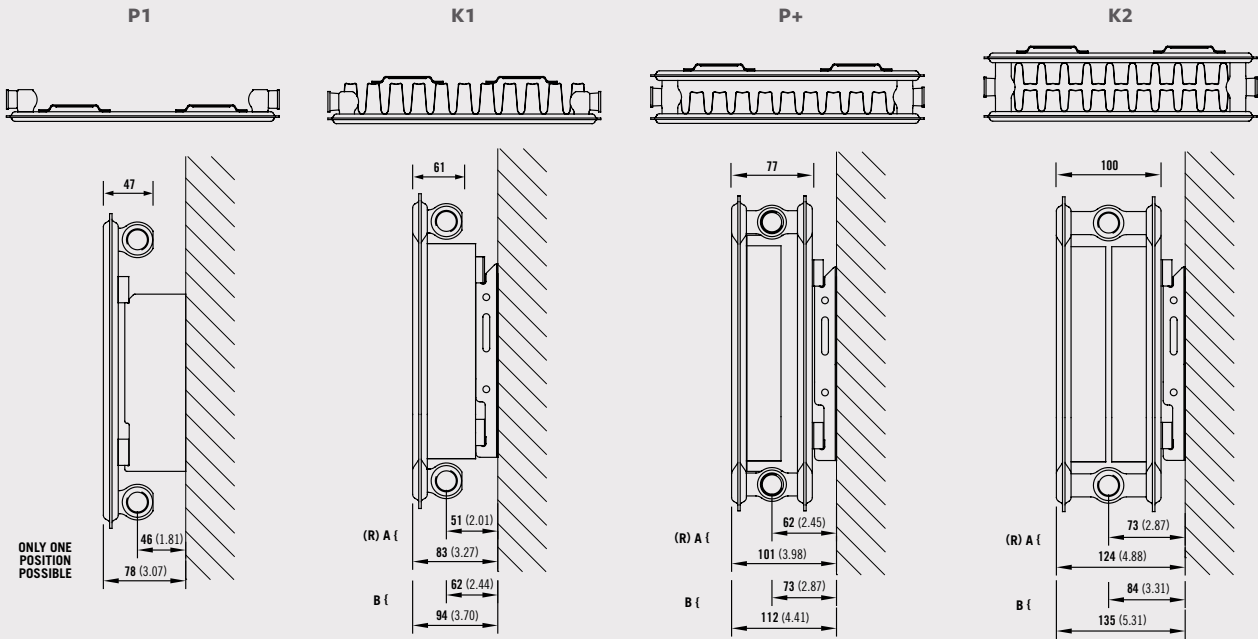


- ① Type 10 (P1), 11 (K1)
- ② Type 21 (P+), 22 (K2)



WALL MOUNTING INFORMATION

All dimensions in mm. Inches in brackets.



ELITE BRACKET POSITION

A = Closest to wall B = Furthest from wall (R) = Recommended mounting position.

PIPING OPTIONS

