

VITA PLAN

A minimal, stylish design for an understated, flat finish, the Stelrad Vita Plan is simplicity at its best. Available in a wide range of heights and widths, the Vita Plan can be tailored to work for any space.

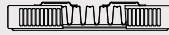
<i>RANGE</i>	40
<i>TYPES</i>	K1, K2
<i>HEIGHTS (MM)</i>	300, 450, 600
<i>LENGTHS (MM)</i>	400 - 2000
<i>OUTPUTS (WATTS)</i>	235 - 3203
<i>OUTPUTS (BTU/HR)</i>	802 - 10928
<i>WORKING PRESSURE</i>	10 bar





50 Δt
(75/65/20°C)

K1



K2



Height mm	Length mm	Stelrad UIN	Heat output Watts	Heat output Btu/h	Price excl VAT	Price incl VAT	Length mm	Stelrad UIN	Heat output Watts	Heat output Btu/h	Price excl VAT	Price incl VAT
300	500	81301105	235	802	£43.51	£52.21	500	81302205	465	1587	£64.85	£77.82
	1000	81301110	469	1601	£71.00	£85.20	1000	81302210	929	3171	£112.86	£135.43
	1500	81301115	704	2401	£100.99	£121.19	1500	81302215	1394	4756	£173.39	£208.07
450	400	81451104	268	915	£44.42	£53.30	400	81452204	500	1705	£70.59	£84.71
	600	81451106	403	1376	£51.83	£62.20	600	81452206	750	2559	£90.74	£108.89
	800	81451108	537	1834	£69.10	£82.92	800	81452208	999	3410	£104.85	£125.82
	1000	81451110	672	2292	£86.37	£103.64	1000	81452210	1249	4262	£120.98	£145.18
	1200	81451112	806	2751	£103.64	£124.37	1200	81452212	1499	5114	£145.20	£174.24
	1400	81451114	941	3209	£120.93	£145.12	1400	81452214	1749	5967	£187.02	£224.42
	1600	81451116	1075	3668	£138.20	£165.84	1600	81452216	1999	6819	£213.74	£256.49
1800	81451118	1209	4126	£168.79	£202.55	1800	81452218	2248	7672	£240.48	£288.58	
600	400	81601104	348	1188	£48.44	£58.13	400	81602204	640	2184	£77.00	£92.40
	600	81601106	522	1782	£56.54	£67.85	600	81602206	961	3280	£98.98	£118.78
	800	81601108	696	2375	£75.37	£90.44	800	81602208	1281	4372	£114.40	£137.28
	1000	81601110	870	2969	£94.22	£113.06	1000	81602210	1601	5464	£132.00	£158.40
	1200	81601112	1044	3563	£113.05	£135.66	1200	81602212	1921	6556	£158.38	£190.06
	1400	81601114	1218	4157	£131.92	£158.30	1400	81602214	2242	7649	£204.04	£244.85
	1600	81601116	1392	4751	£150.76	£180.91	1600	81602216	2563	8744	£233.18	£279.82
	1800	81601118	1566	5345	£184.13	£220.96	1800	81602218	2883	9836	£262.32	£314.78
	2000	81601120	1740	5939	£188.87	£226.64	2000	81602220	3203	10928	£401.48	£481.78

$\Delta t50$ is the UK's industry standard for heating outputs, which has an operating temperature of 75/65/20°C. If you have a low temperature heat source you may wish to consider $\Delta t40$ or $\Delta t30$ output (see your installer or system designer or download from www.stelrad.com).

EN 442 CERTIFICATION DATA - CETIAT TESTED IN ACCORDANCE WITH BS EN 442

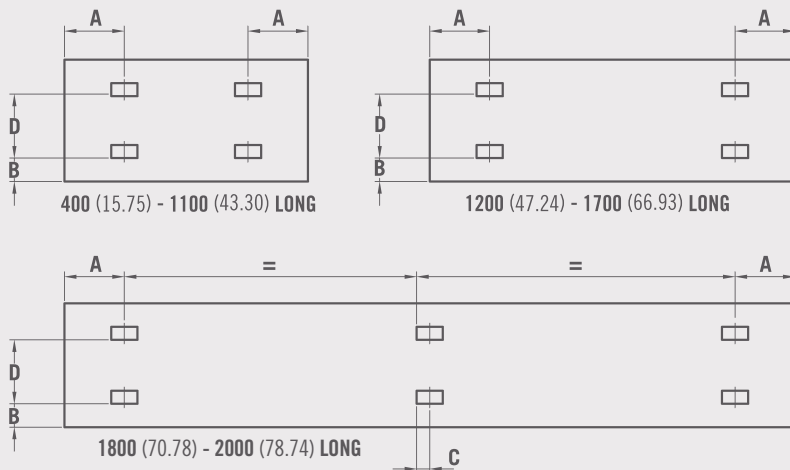
Type	K1			K2		
	300	450	600	300	450	600
Height	300	450	600	300	450	600
W/m at 75/65/20	469	701	911	929	1296	1634
n-coefficients	1.30	1.29	1.28	1.30	1.31	1.32
Heated surface area (m ² /m)	2.09	3.37	4.66	3.51	5.62	7.74
Weight (kg/m)	11.88	18.26	24.65	19.60	29.80	40.00
Water contents (l/m)	1.89	2.49	3.25	3.70	5.05	6.60
Wall to tap centre (mm)	54	54	54	76	76	76

Vita Plan

Stelrad Vita Series

K1 & K2 LUG POSITIONS (New as of June 2016).

All dimensions in mm. Inches in brackets.



PANEL HEIGHT

D		D	
mm	in	mm	in
300	11.81	155	6.10
450	17.72	305	12.01
600	23.62	455	17.91
700	27.56	555	21.95

K1

K2

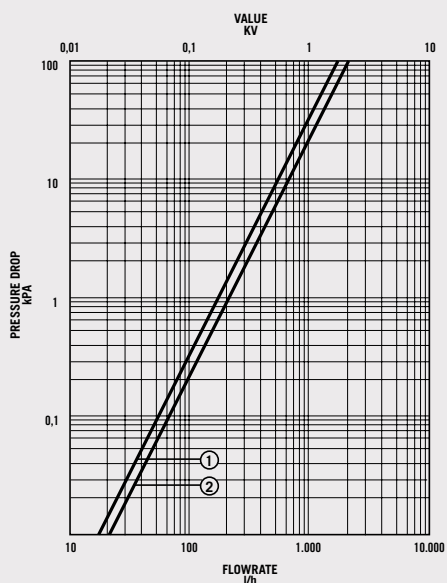
Dimensions	K1		K2	
	mm	in	mm	in
A 400mm	117	4.61	133	5.24
A 500 - 2000mm	150	5.91	133	5.24
B 400 - 2000mm	60	2.36	60	2.36
C 1800 - 2000mm	17	0.67	L/2	L/2

L/2 is the length divided by two.

CONNECTIONS

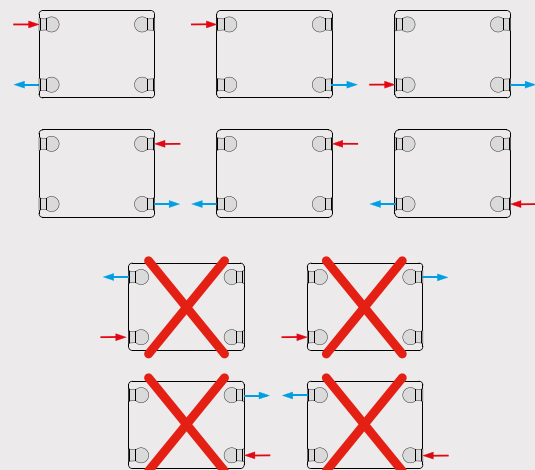
Each radiator comes with 1/2" inlet connections as standard.

PRESSURE DROP



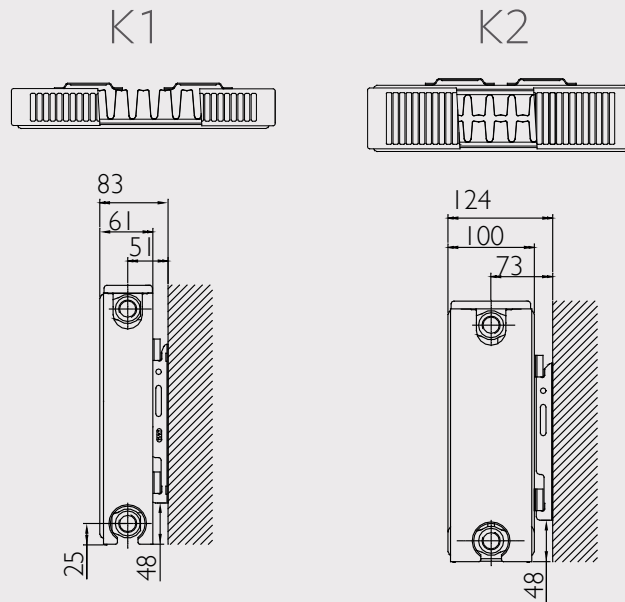
- ① Type 11 (K1)
- ② Type 22 (K2)

PIPING OPTIONS



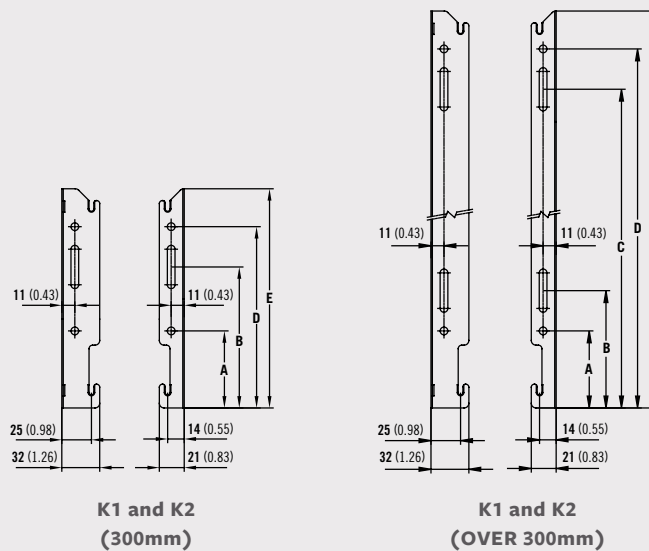
WALL MOUNTING INFORMATION

All dimensions in mm. Inches in brackets.



MOUNTING BRACKETS

All dimensions in mm. Inches in brackets. Floor mounting brackets available.



**K1 and K2
(300mm)**

**K1 and K2
(OVER 300mm)**

Dimensions	mm	inches	mm	inches	mm	inches
Height	300	11.81	450	17.72	600	23.62
A	65	2.56	65	2.56	65	2.56
B	119	4.69	99	3.90	99	3.90
C	-	-	269	10.59	419	16.50
D	153	6.02	303	11.93	453	17.83
E	185	7.28	335	13.19	485	19.09