

VITA PLAN

05/06

Minimal, stylish design for an understated flat finish. Simplicity at its best.

<i>RANGE</i>	40 SKUs
<i>HEIGHTS (MM)</i>	300, 450, 600
<i>LENGTHS (MM)</i>	400 - 2000
<i>TYPES</i>	K1, K2
<i>OUTPUTS (WATTS)</i>	235 - 3,203
<i>OUTPUTS (BTU/H)</i>	802 - 10,928





VITA — PLAN

Technical information

50 Δt
(75/65/20°C)



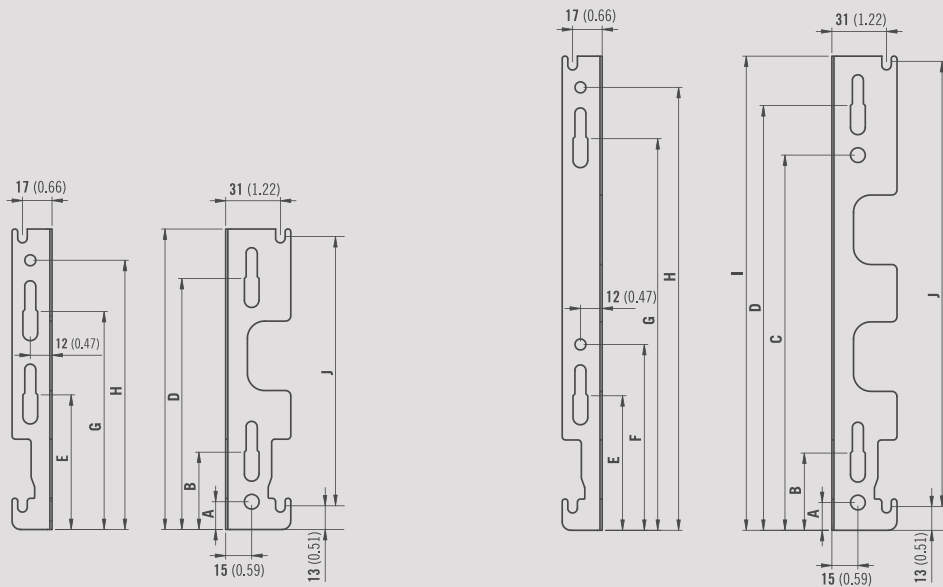
	Height mm	Length mm	Stelrad UIN	Heat output Watts Btu/h		Price exc VAT	Price inc VAT	Length mm	Stelrad UIN	Heat output Watts Btu/h		Price exc VAT	Price inc VAT
300		500	81301105	235	802	£47.40	£56.88	500	81302205	465	1587	£70.65	£84.78
		1000	81301110	469	1601	£77.34	£92.81	1000	81302210	929	3171	£122.94	£147.53
		1500	81301115	704	2401	£110.01	£132.01	1500	81302215	1394	4756	£188.88	£226.66
450		400	81451104	268	915	£48.39	£58.07	400	81452204	500	1705	£76.89	£92.27
		600	81451106	403	1376	£56.46	£67.75	600	81452206	750	2559	£98.85	£118.62
		800	81451108	537	1834	£75.27	£90.32	800	81452208	999	3410	£114.21	£137.05
		1000	81451110	672	2292	£94.08	£112.90	1000	81452210	1249	4262	£131.79	£158.15
		1200	81451112	806	2751	£112.89	£135.47	1200	81452212	1499	5114	£158.16	£189.79
		1400	81451114	941	3209	£131.73	£158.08	1400	81452214	1749	5967	£203.73	£244.48
		1600	81451116	1075	3668	£150.54	£180.65	1600	81452216	1999	6819	£232.83	£279.40
	1800	81451118	1209	4126	£183.87	£220.64	1800	81452218	2248	7672	£261.96	£314.35	
600		400	81601104	348	1188	£52.77	£63.32	400	81602204	640	2184	£83.88	£100.66
		600	81601106	522	1782	£61.59	£73.91	600	81602206	961	3280	£107.82	£129.38
		800	81601108	696	2375	£82.11	£98.53	800	81602208	1281	4372	£124.62	£149.54
		1000	81601110	870	2969	£102.63	£123.16	1000	81602210	1601	5464	£143.79	£172.55
		1200	81601112	1044	3563	£123.15	£147.78	1200	81602212	1921	6556	£172.53	£207.04
		1400	81601114	1218	4157	£143.70	£172.44	1400	81602214	2242	7649	£222.27	£266.72
		1600	81601116	1392	4751	£164.22	£197.06	1600	81602216	2563	8744	£254.01	£304.81
		1800	81601118	1566	5345	£200.58	£240.70	1800	81602218	2883	9836	£285.75	£342.90
		2000	81601120	1740	5939	£205.74	£246.89	2000	81602220	3203	10928	£437.34	£524.81

Δt 50 is the UK's industry standard for heating outputs, which has an operating temperature of 75/65/20°C.

VITA — PLAN

Vita Plan mounting brackets

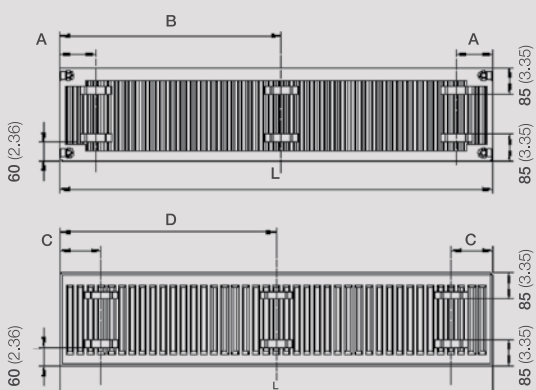
All dimensions in mm. Inches in brackets.



H450-600-700

Dimensions	mm	in	mm	in	mm	in	mm	in
Rad height	300	11.81	450	17.72	600	23.62	700	27.56
A	16	0.63	16	0.63	16	0.63	16	0.63
B	14	1.73	44	1.73	44	1.73	44	1.73
C	-	-	266	10.47	416	16.38	516	20.31
D	144	5.67	294	11.57	444	17.48	544	21.42
E	77	3.03	77	3.03	77	3.03	77	3.03
F	-	-	107	4.21	107	4.21	107	4.21
G	125	4.92	275	10.83	425	16.73	525	20.67
H	155	6.10	305	12.01	455	17.91	555	21.85
I	173	6.81	323	12.72	473	18.62	573	22.56
J	155	6.10	305	12.01	455	17.91	555	21.85

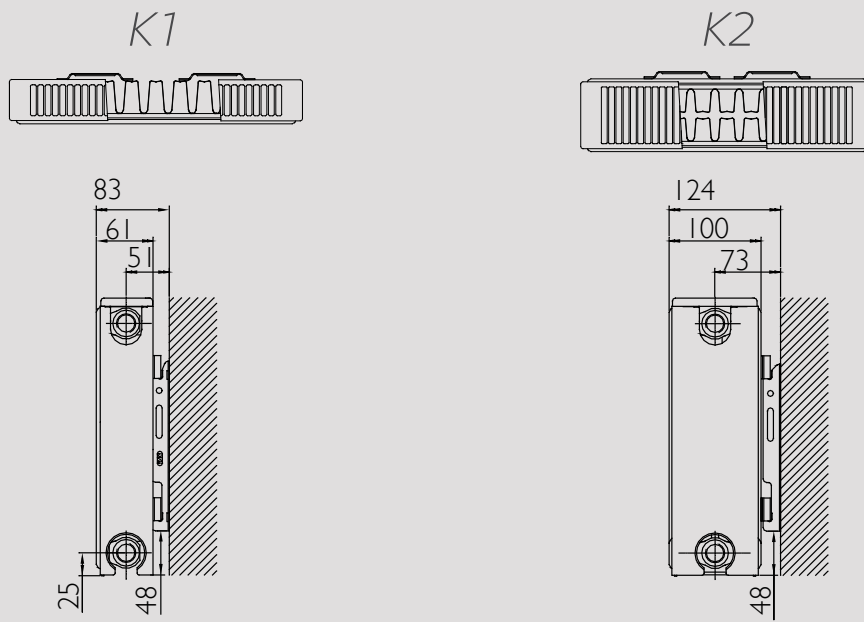
K1 and K2 lug position



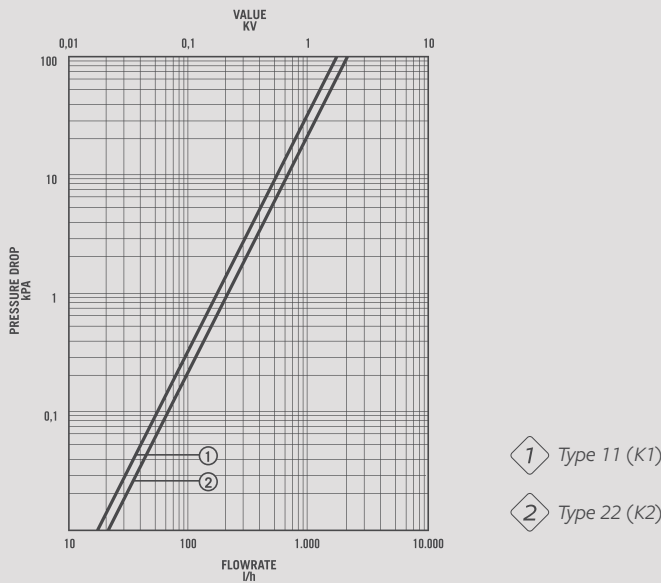
L	K1		K2				
	A	B	C	D			
	mm	in	mm	in	mm	in	
400	117	-	-	-	133	-	-
500 - 1100	150	-	-	-	133	-	-
1200 - 1600	283	-	-	-	267	-	-
1800 - 2000	283	-	(L/2) + 17	-	267	-	(L/2)

Vita Plan wall mounting information

All dimensions in mm. Inches in brackets.



Pressure drop diagram



EN 442 Certification Data - CETIAT tested in accordance with BS EN 442

	K1			K2		
Height (mm)	300	450	600	300	450	600
W/m at 75/65/20	470	681	870	898	1273	1601
n-coefficients	1.26	1.28	1.28	1.30	1.31	1.31
Heated surface area (m2/m)	2.09	3.37	4.66	3.51	5.62	7.74
Weight (kg/m)	14.13	18.22	24.27	19.30	28.85	38.40
Water contents (l/m)	1.81	2.53	3.23	3.10	4.65	6.20
Wall to tap centre (mm)	54	54	54	76	76	76