

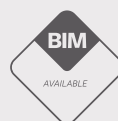
DECORATIVE COLLECTION



CLASSIC TOWEL RAIL

Stelrad's Classic Towel Rails offer stylish looks and effective heating and drying performance in any kitchen or bathroom. Available from stock in white, chrome, straight or curved.

RANGE	26
TYPES	Mini, Straight, Curved
HEIGHTS (MM)	678 - 1744
LENGTHS (MM)	400, 500, 600
OUTPUTS (WATTS)	240 - 1022
OUTPUTS (BTU/HR)	754 - 3211
COLOURS	White, Chrome
WORKING PRESSURE	8 bar





Classic Towel Rail

 **Stelrad** Aqua Series



50 Δt

(75/65/20°C)

STRAIGHT WHITE

STRAIGHT CHROME

Height mm	Length mm	Max Projection mm	Stelrad UIN	Heat output Watts	Btu/hr	Price excl VAT	Price incl VAT	Max Projection mm	Stelrad UIN	Heat output Watts	Btu/hr	Price excl VAT	Price incl VAT
760	500	100	148070	367	1153	£90.69	£108.83	100	147002	305	958	£180.28	£216.34
	600	100	148071	439	1379	£91.86	£110.23	100	147003	366	1150	£188.21	£225.85
1211	500	100	148072	545	1712	£121.37	£145.64	100	147004	454	1426	£241.06	£289.27
	600	100	148073	646	2030	£124.85	£149.82	100	147005	539	1694	£256.29	£307.55
1744	500	100	148074	804	2526	£187.76	£225.31	100	142768	670	2105	£303.26	£363.91
	600	100	148075	951	2988	£202.24	£242.69	100	142769	792	2488	£324.67	£389.60

CURVED WHITE

CURVED CHROME

Height mm	Length mm	Max Projection mm	Stelrad UIN	Heat output Watts	Btu/hr	Price excl VAT	Price incl VAT	Max Projection mm	Stelrad UIN	Heat output Watts	Btu/hr	Price excl VAT	Price incl VAT
760	500	100	147006	394	1238	£115.56	£138.67	100	147012	328	1031	£224.96	£269.95
	600	100	147007	472	1483	£122.87	£147.44	100	147013	393	1235	£246.49	£295.79
1211	500	100	147008	586	1841	£153.84	£184.61	100	147014	488	1533	£283.25	£339.90
	600	100	147009	695	2184	£189.00	£226.80	100	147015	579	1819	£290.22	£348.26
1744	500	100	147010	864	2715	£191.37	£229.64	100	147016	720	2262	£345.77	£414.92
	600	100	147011	1022	3211	£214.73	£257.68	100	147017	852	2677	£401.14	£481.37

Δt_{50} is the UK's industry standard for heating outputs, which has an operating temperature of 75/65/20°C. If you have a low temperature heat source you may wish to consider Δt_{40} or Δt_{30} output (see your installer or system designer or download from www.stelrad.com).

EN 442 CERTIFICATION DATA - CETIAT TESTED IN ACCORDANCE WITH BS EN 442

Type	STRAIGHT/CURVED WHITE					
No of tubes	16	16	25	25	36	36
Height	760	760	1211	1211	1744	1744
Length	500	600	500	600	500	600
Watts at 75/65/20	376	445	576	686	844	1000
n-coefficients	1.23	1.23	1.25	1.25	1.28	1.26
Heated surface area (m ²)	0.71	0.83	1.11	1.30	1.60	1.88
Weight (kg)	6.12	7.06	9.63	11.10	13.86	15.98
Water contents (l/m)	4.41	5.10	6.89	7.97	9.80	11.40
KM (P/dTn)	3.0343	3.5743	4.285	5.2327	5.6826	7.1623

Type	STRAIGHT/CURVED CHROME					
No of tubes	16	16	25	25	36	36
Height	760	760	1211	1211	1744	1744
Length	500	600	500	600	500	600
Watts at 75/65/20	246	294	379	453	557	667
n-coefficients	1.25	1.25	1.28	1.27	1.30	1.30
Heated surface area (m ²)	0.71	0.83	1.11	1.30	1.60	1.88
Weight (kg)	6.12	7.06	9.63	11.10	13.86	15.98
Water contents (l/m)	4.41	5.10	6.89	7.97	9.80	11.40
KM (P/dTn)	1.8179	2.1949	2.5779	3.1188	3.4249	4.1610

Classic Towel Rail

Stelrad Aqua Series

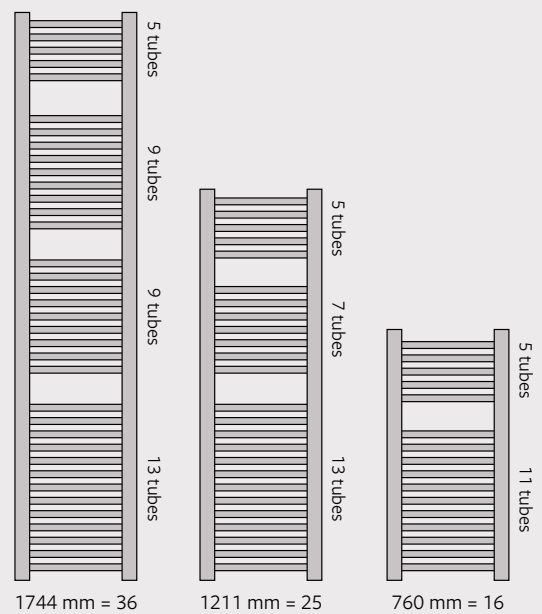
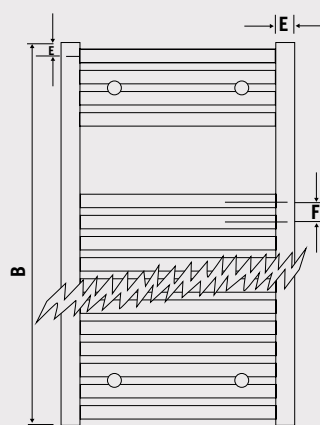
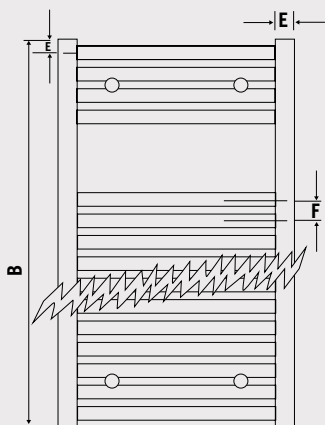
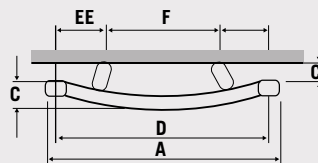
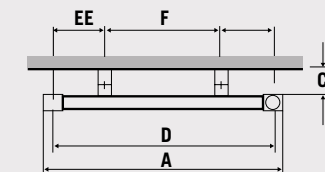


		STRAIGHT MODELS					CURVED MODELS						
					WALL MOUNTING POSITIONS						WALL MOUNTING POSITIONS		
A Width (mm)	B Height (mm)	C Depth (mm)	D Tap Centres (mm)	EE (mm)	F (mm)	C (mm)	C Depth (mm)	D Tap Centres (mm)	EE (mm)	F (mm)	C (mm)		
400	678	30	356	70	216	65-75	-	-	-	-	-		
500	760	30	456	70	316	65-75	56.0	456	110	236	40-45		
600	760	30	556	70	416	65-75	60.0	556	110	336	40-45		
500	1211	30	456	70	316	65-75	56.0	456	110	236	40-45		
600	1211	30	556	70	416	65-75	60.0	556	110	336	40-45		
500	1744	30	456	70	316	65-75	56.0	456	110	236	40-45		
600	1744	30	556	70	416	65-75	60.0	556	110	336	40-45		

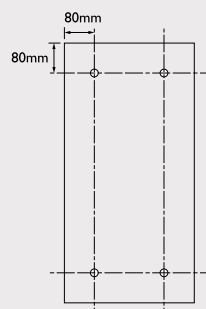
STRAIGHT MODELS

CURVED MODELS

NUMBER OF TUBES ON TOWEL RAILS



BRACKET POSITIONS



CONNECTIONS

Each radiator comes with 1/2" inlet connections as standard.

Classic Mini Towel Rail

Stelrad Aqua Series



50 Δt

(75/65/20°C)

Height mm	Length mm	Max Projection mm	WHITE				CHROME						
			Stelrad UIN	Heat output Watts	Heat output Btu/hr	Price excl VAT	Price incl VAT	Stelrad UIN	Heat output Watts	Heat output Btu/hr	Price excl VAT	Price incl VAT	
678	400	100	147000	280	880	£67.50	£81.00	100	147001	240	754	£127.25	£152.70

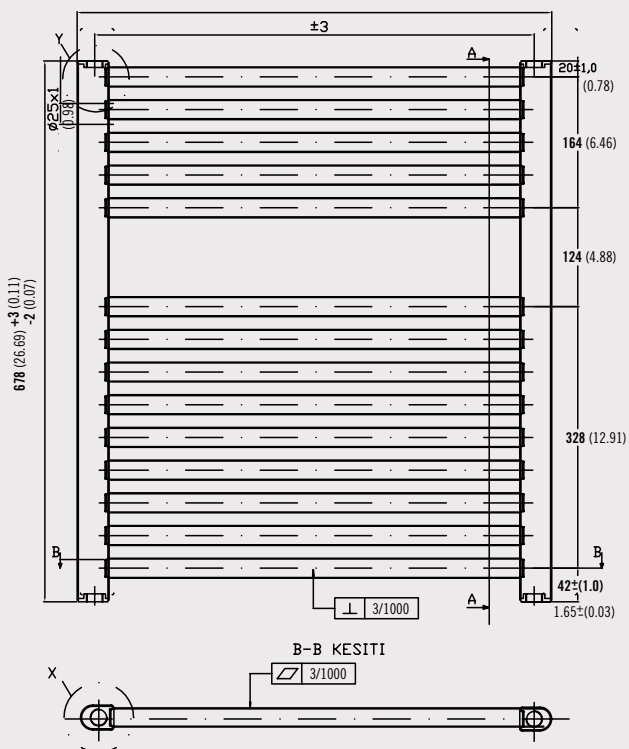
Δt50 is the UK's industry standard for heating outputs, which has an operating temperature of 75/65/20°C. If you have a low temperature heat source you may wish to consider Δt40 or Δt30 output (see your installer or system designer or download from www.stelrad.com).

EN 442 CERTIFICATION DATA - CETIAT TESTED IN ACCORDANCE WITH BS EN 442

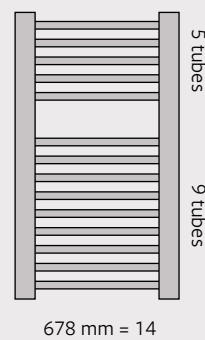
Type	WHITE	CHROME
No of tubes	14	14
Height	14	14
Length	678	678
Watts at 75/65/20	400	175
n-coefficients	1.2232	1.2535
Heated surface area (m²/m)	0.51	0.51
Weight (kg/m)	4.57	4.57
Water contents (l/m)	3.20	3.20
KM (P/dTn)	2.2803	1.2983

WALL MOUNTING INFORMATION

All dimensions in mm. Inches in brackets.



NUMBER OF TUBES ON TOWEL RAILS



CONNECTIONS

Each radiator comes with 1/2" inlet connections as standard.