



# CLASSIC COLUMN HORIZONTAL

A timeless classic design, to complement both contemporary and traditional interiors. The Stelrad Classic Column is a real style statement, with a beautiful finish and sizes to suit almost any space.

<i>RANGE</i>	54
<i>TYPES</i>	2, 3, 4 Columns
<i>HEIGHTS (MM)</i>	300 - 750
<i>LENGTHS (MM)</i>	444 - 1870
<i>OUTPUTS (WATTS)</i>	288 - 2972
<i>OUTPUTS (BTU/HR)</i>	983 - 10143
<i>COLOURS</i>	35
<i>WORKING PRESSURE</i>	8 bar





# Classic Column Horizontal

 **Stelrad** Designer Series

## 50 $\Delta t$

(75/65/20°C)



	Height mm	Length mm	Elements	Columns	Stelrad UIN	Heat output	
						Watts	Btu/hr
<b>300</b>		444	9	3	163000	288	983
		628	13	3	163001	416	1420
		858	18	3	163002	576	1966
		1042	22	3	163003	704	2403
		1272	27	3	163004	864	2949
		1456	31	3	163005	992	3386
		1870	40	3	163006	1280	4369
		444	9	4	163007	377	1287
		628	13	4	163008	545	1860
		858	18	4	163009	754	2573
		1042	22	4	163010	922	3147
	1272	27	4	163011	1131	3860	
<b>500</b>		628	13	2	163012	499	1703
		858	18	2	163013	691	2358
		1042	22	2	163014	845	2884
		1272	27	2	163015	1037	3539
		444	9	3	163016	464	1584
		628	13	3	163017	671	2290
		858	18	3	163018	929	3171
		1042	22	3	163019	1135	3874
		1272	27	3	163020	1393	4754
		1456	31	3	163021	1600	5461
		1870	40	3	163022	2064	7044
		444	9	4	163023	608	2075
		628	13	4	163024	879	3000
		858	18	4	163025	1217	4154
	1042	22	4	163026	1487	5075	
	1272	27	4	163027	1825	6229	
<b>600</b>		628	13	2	163028	589	2010
		858	18	2	163029	815	2782
		1042	22	2	163030	997	3403
		1272	27	2	163031	1223	4174
		444	9	3	163032	548	1870
		628	13	3	163033	792	2703
		858	18	3	163034	1096	3741
		1042	22	3	163035	1340	4573
		1272	27	3	163036	1644	5611
		1456	31	3	163037	1888	6444
		1870	40	3	163038	2436	8314
		444	9	4	163039	718	2451
		628	13	4	163040	1037	3539
		858	18	4	163041	1436	4901
		1042	22	4	163042	1756	5993
		1272	27	4	163043	2155	7355
<b>750</b>		858	18	3	163044	1337	4563
		1042	22	3	163045	1635	5580
		1272	27	3	163046	2006	6846
		1456	31	3	163047	2303	7860
		1870	40	3	163048	2972	10143
		444	9	4	163049	877	2993
		628	13	4	163050	1266	4321
		858	18	4	163051	1753	5983
		1042	22	4	163052	2143	7314
		1272	27	4	163053	2630	8976

$\Delta t$ 50 is the UK's industry standard for heating outputs, which has an operating temperature of 75/65/20°C. If you have a low temperature heat source you may wish to consider  $\Delta t$ 40 or  $\Delta t$ 30 output (see your installer or system designer or download from [www.stelrad.com](http://www.stelrad.com)).

Due to production tolerances, the length of the product and therefore the tap centres could contain a variation of +/- 1.5% of the overall stated length.

### EN 442 CERTIFICATION DATA - CETIAT TESTED IN ACCORDANCE WITH BS EN 442

Type	2 Columns		3 Columns				4 Columns			
	500	600	300	500	600	750	300	500	600	750
Height	500	600	300	500	600	750	300	500	600	750
W/m at 75/65/20	835	985	696	1122	1324	1615	911	1469	1734	2117
n-coefficients	1.25	1.25	1.25	1.25	1.26	1.26	1.25	1.26	1.27	1.27
Heated surface area (m <sup>2</sup> /m)	1.52	1.96	1.52	2.39	3.04	3.70	1.96	3.26	4.13	5.0
Weight (kg/m)	17.39	21.74	15.22	26.09	30.43	36.96	21.74	36.96	43.48	54.35
Water contents (l/m)	10.87	13.04	13.04	17.39	19.57	23.91	15.22	21.74	26.09	30.43
Wall to tap centre (mm)	54 / 59	54 / 59	73 / 78	73 / 78	73 / 78	73 / 78	91 / 96	91 / 96	91 / 96	91 / 96

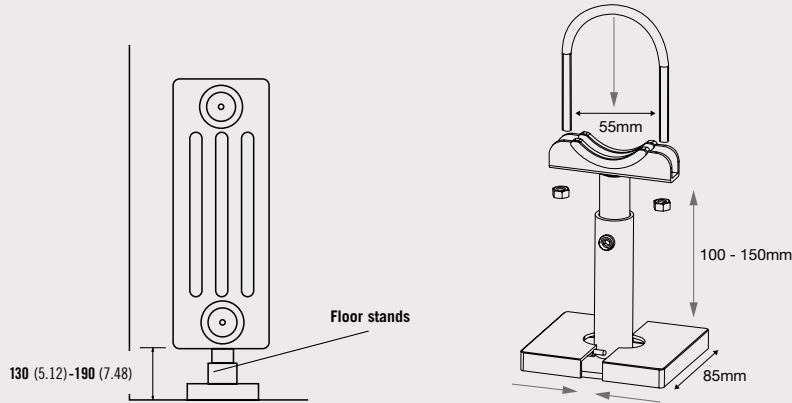
# Classic Column Horizontal

**Stelrad** Designer Series



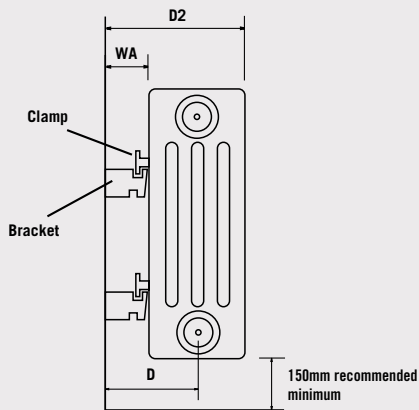
## OPTIONAL FLOOR MOUNTING BRACKETS

All dimensions in mm. Inches in brackets.



## BRACKET INSTALLATION

All dimensions in mm. Inches in brackets.



## MEASUREMENTS USING 10mm CVD BRACKETS SLOT

Add 5mm if using 15mm slot

	WA	D	D2
2 Col	23	54	85
3 Col	23	73	123
4 Col	23	91	159

## BRACKETS AND CLAMPS REQUIRED

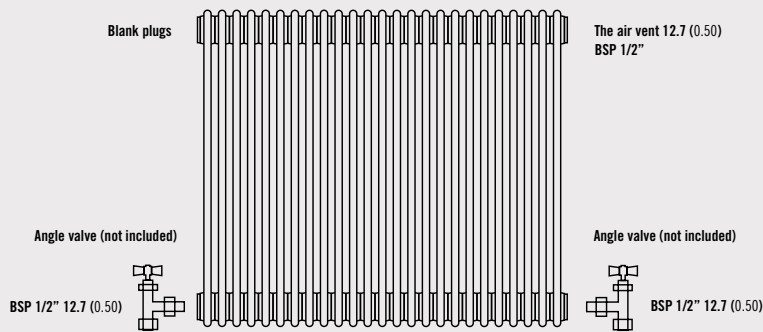
	No of Sections
4	0 - 23
6	24 - 41

Number of columns	Wall to centre of connections		Wall to front face of radiator
	Using 10mm bracket slot	Using 15mm bracket slot	
2	54	59	85 or 90
3	73	78	123 or 128
4	91	96	159 or 164

All sizes (approximate) in mm

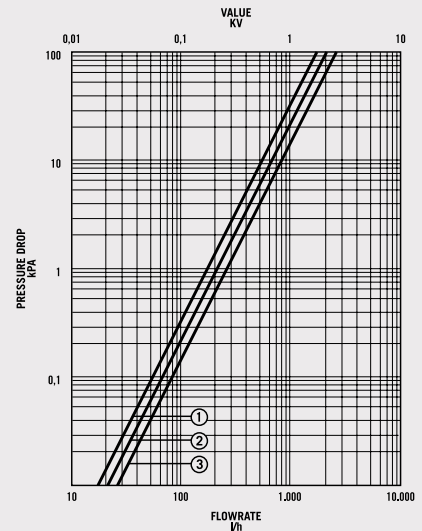
## VALVE INSTALLATION

All dimensions in mm. Inches in brackets.



Note: Factory fitted bushes are welded in place and not removable. If installing TBOE (Top Bottom Opposite End) please note that the radiator MUST be inverted.

## PRESSURE DROPS



- ① 2 Column (P1), 11 (K1)
- ② 3 Column (P+), 22 (K2)
- ③ 4 Column (K3)

## CONNECTIONS

Each radiator comes with 1/2" inlet connections as standard.

# Colour Guide

With Stelrad, you can heat your home in colour.  
Choose from a full range of stylish radiator colours.

Colour information for the:  
Aqua Series - Vistaline and Ellipse  
Designer Series - Classic Column and Concord

## RAL Colours

						
RAL 7035 Pale grey	RAL 7038 Agate grey	RAL 7036 Platinum grey	RAL 7030 Stone grey	RAL 7037 Dusty grey	RAL 7015 Slate grey	RAL 9005* Jet black
						
RAL 8017 Chocolate brown	RAL 1016 Sulphur yellow	RAL 1021 Cadmium yellow	RAL 1004 Dark Golden yellow	RAL 2008 Light red orange	RAL 3000 Flame red	RAL 3003 Ruby red
						
RAL 3005 Wine red	RAL 6027 Light green	RAL 6034 Pastel turquoise	RAL 6019 Pastel green	RAL 6033 Turquoise blue	RAL 6020 Chrome green	RAL 6005 Light moss green
						
RAL 5014 Pigeon blue	RAL 5002 Ultramarine blue	RAL 5024 Pastel blue	RAL 5022 Night blue	RAL 5010 Gentian blue	RAL 9016** Traffic white	RAL 9010 Pure white
						
RAL 9001 Cream	RAL 1013 Pearl white	RAL 1015 Light ivory	RAL 9002 Grey white			

## Metallic Colours

		
2765G Metallic silver	BR 0004 Gilded aluminium	BR 0007*** Satin metal grey

For further information on RAL colours  
please visit [www.ralcolor.com](http://www.ralcolor.com)



RAL 9016\*\*  
Traffic white  
comes as  
standard on  
all radiators.

Stelrad Radiators are available in white (RAL 9016)  
as standard, however the specific Radiators  
identified are now available in a variety of colours.

The colours shown are reproduced as  
accurately as this process will allow and can  
be made to order on the identified products.