



# CLASSIC COLUMN HORIZONTAL

## Designer Series

### 50 $\Delta t$

(75/65/20°C)

Height mm	Length mm	Elements	Columns	Stelrad UIN	Heat output	
					Watts	Btu/hr
300	444	9	3	163000	288	983
	628	13	3	163001	416	1420
	858	18	3	163002	576	1966
	1042	22	3	163003	704	2403
	1272	27	3	163004	864	2949
	1456	31	3	163005	992	3386
	1870	40	3	163006	1280	4369
	444	9	4	163007	377	1287
	628	13	4	163008	545	1860
	858	18	4	163009	754	2573
	1042	22	4	163010	922	3147
1272	27	4	163011	1131	3860	
500	628	13	2	163012	499	1703
	858	18	2	163013	691	2358
	1042	22	2	163014	845	2884
	1272	27	2	163015	1037	3539
	444	9	3	163016	464	1584
	628	13	3	163017	671	2290
	858	18	3	163018	929	3171
	1042	22	3	163019	1135	3874
	1272	27	3	163020	1393	4754
	1456	31	3	163021	1600	5461
	1870	40	3	163022	2064	7044
	444	9	4	163023	608	2075
	628	13	4	163024	879	3000
	858	18	4	163025	1217	4154
	1042	22	4	163026	1487	5075
1272	27	4	163027	1825	6229	
600	628	13	2	163028	589	2010
	858	18	2	163029	815	2782
	1042	22	2	163030	997	3403
	1272	27	2	163031	1223	4174
	444	9	3	163032	548	1870
	628	13	3	163033	792	2703
	858	18	3	163034	1096	3741
	1042	22	3	163035	1340	4573
	1272	27	3	163036	1644	5611
	1456	31	3	163037	1888	6444
	1870	40	3	163038	2436	8314
	444	9	4	163039	718	2451
	628	13	4	163040	1037	3539
	858	18	4	163041	1436	4901
	1042	22	4	163042	1756	5993
	1272	27	4	163043	2155	7355
	750	858	18	3	163044	1337
1042		22	3	163045	1635	5580
1272		27	3	163046	2006	6846
1456		31	3	163047	2303	7860
1870		40	3	163048	2972	10143
444		9	4	163049	877	2993
628		13	4	163050	1266	4321
858		18	4	163051	1753	5983
1042		22	4	163052	2143	7314
1272		27	4	163053	2630	8976

$\Delta t50$  is the UK's industry standard for heating outputs, which has an operating temperature of 75/65/20°C. If you have a low temperature heat source you may wish to consider  $\Delta t40$  or  $\Delta t30$  output (see your installer or system designer or download from [www.stelrad.com](http://www.stelrad.com)).

Due to production tolerances the length of the product and therefore the tap centres could contain a variation of +/- 1.5% of the overall stated length.

For EN442 data, technical and installation information please visit our website: [www.stelrad.com](http://www.stelrad.com) and search product downloads.

# CLASSIC COLUMN HORIZONTAL

Designer Series

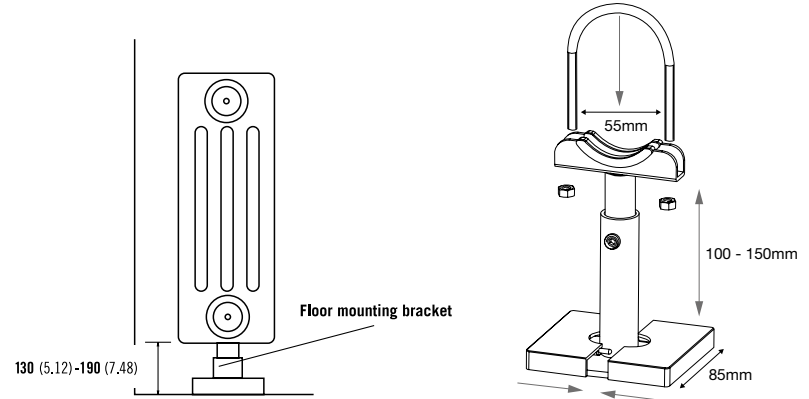
## CLASSIC COLUMN HORIZONTAL FLOOR MOUNTING BRACKETS



UIN 148137 White  
(sold in pairs)

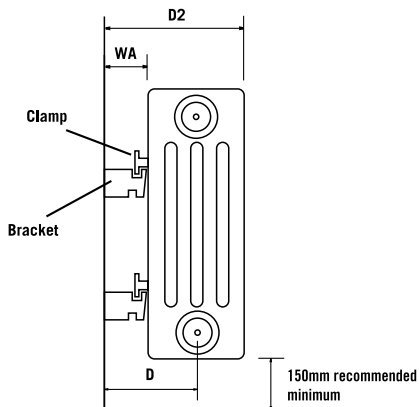
## OPTIONAL FLOOR MOUNTING BRACKETS

All dimensions in mm. Inches in brackets.



## BRACKET INSTALLATION

All dimensions in mm. Inches in brackets.



## MEASUREMENTS USING 10mm CVD BRACKETS SLOT

Add 5mm if using 15mm slot

	WA	D	D2
2 Col	23	54	85
3 Col	23	73	123
4 Col	23	91	159

## BRACKETS AND CLAMPS REQUIRED

	No of Sections
4	0 - 23
6	24 - 41

Number of columns	Wall to centre of connections		Wall to front face of radiator
	Using 10mm bracket slot	Using 15mm bracket slot	
2	54	59	85 or 90
3	73	78	123 or 128
4	91	96	159 or 164

All sizes (approximate) in mm

## CONNECTIONS

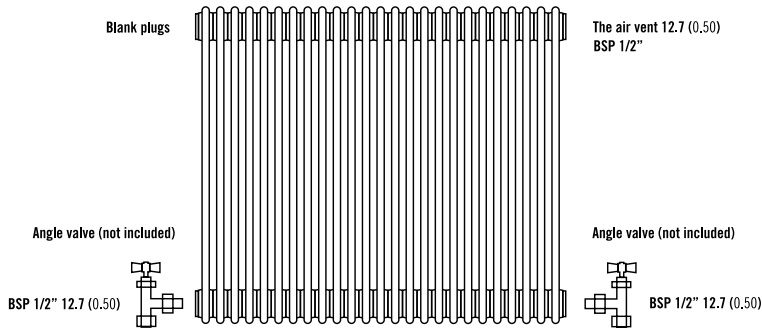
Each radiator comes with 1/2" inlet connections as standard.

# CLASSIC COLUMN HORIZONTAL

Designer Series

## VALVE INSTALLATION

All dimensions in mm. Inches in brackets.

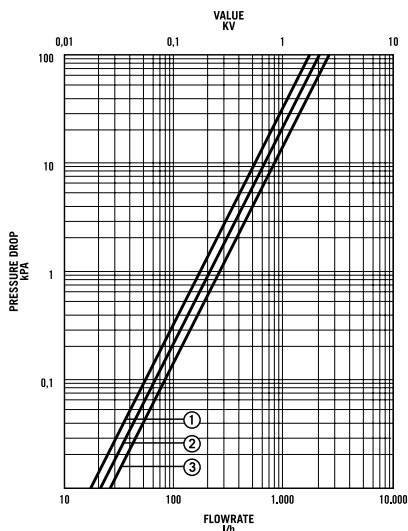


Note: Factory fitted bushes are welded in place and not removable.  
If installing TBOE (Top Bottom Opposite End) please note that the radiator MUST be inverted.

## EN 442 CERTIFICATION DATA - CETIAT TESTED IN ACCORDANCE WITH BS EN 442

Type	2 Columns		3 Columns			4 Columns
Height	500	600	300	500	600	600
W/m at 75/65/20	835	985	696	1122	1324	1734
n-coefficients	1.25	1.25	1.25	1.25	1.26	1.27
Heated surface area (m <sup>2</sup> /m)	1.52	1.96	1.52	2.39	3.04	4.13
Weight (kg/m)	17.39	21.74	15.22	26.09	30.43	43.48
Water contents (l/m)	10.87	13.04	13.04	17.39	19.57	26.09
Wall to tap centre (mm)	54 / 59	54 / 59	73 / 78	73 / 78	73 / 78	91 / 96

## PRESSURE DROPS



- ① 2 Column (P1), 11 (K1)
- ② 3 Column (P+), 22 (K2)
- ③ 4 Column (K3)